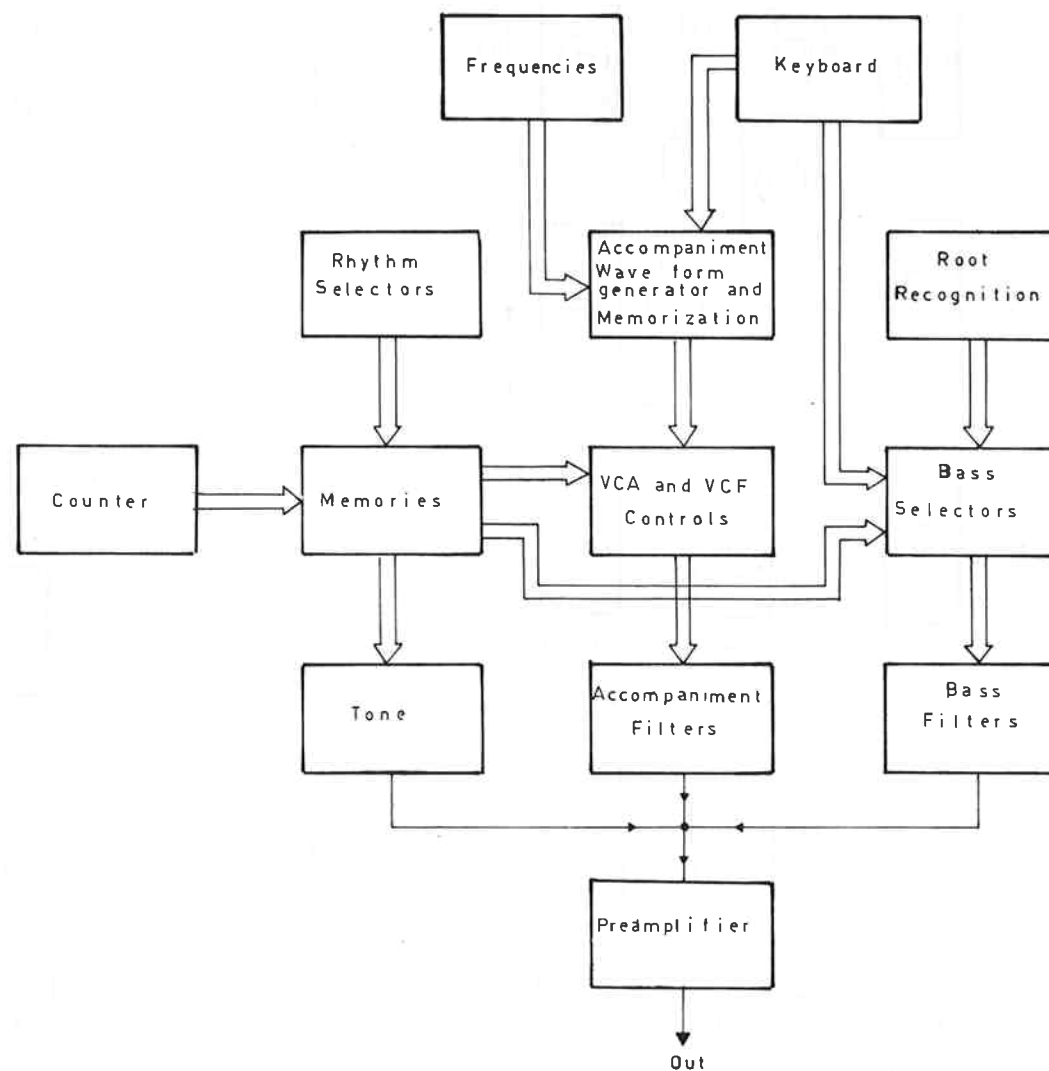


RHYTHM UNIT





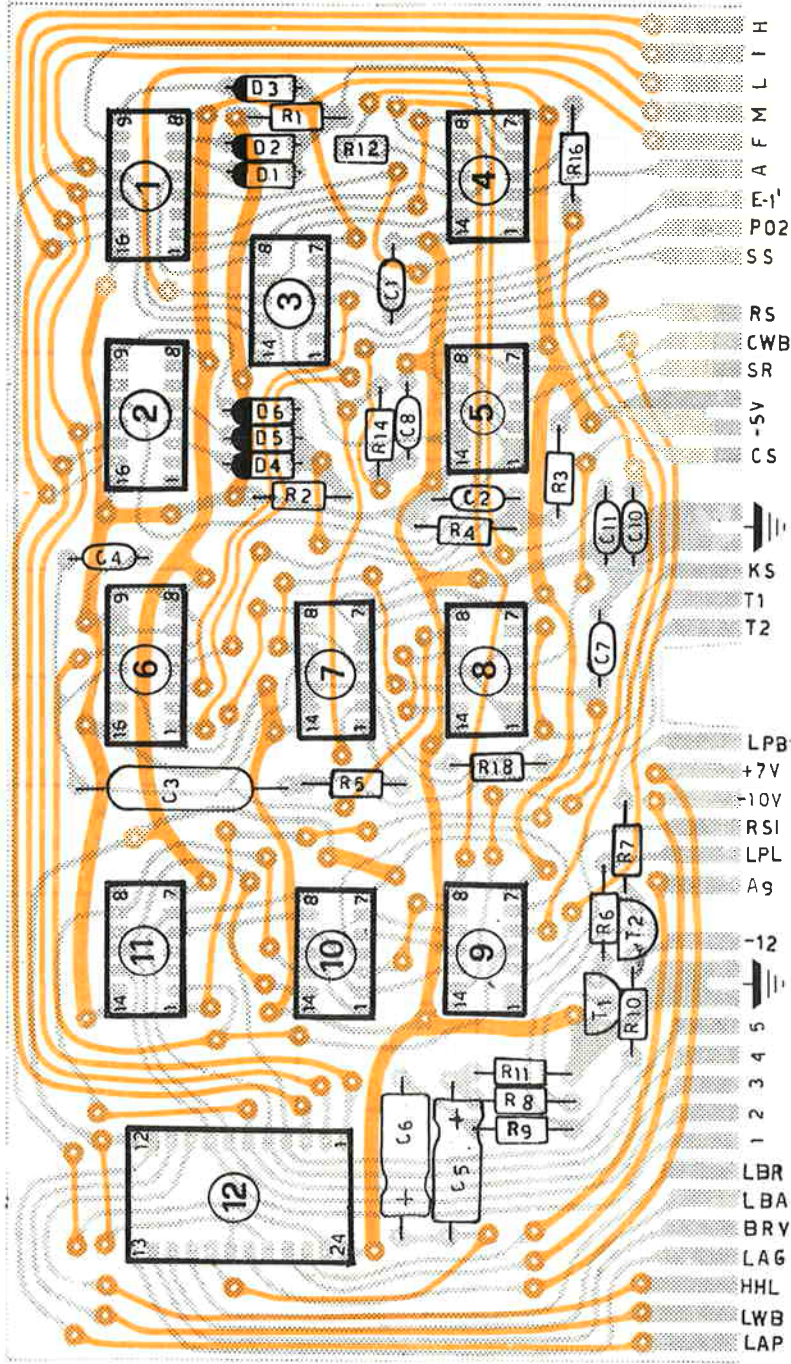
Model
X705

Object:
Assembly of
Printed Circuit

Sheet No 48-60
Date 11-7-80

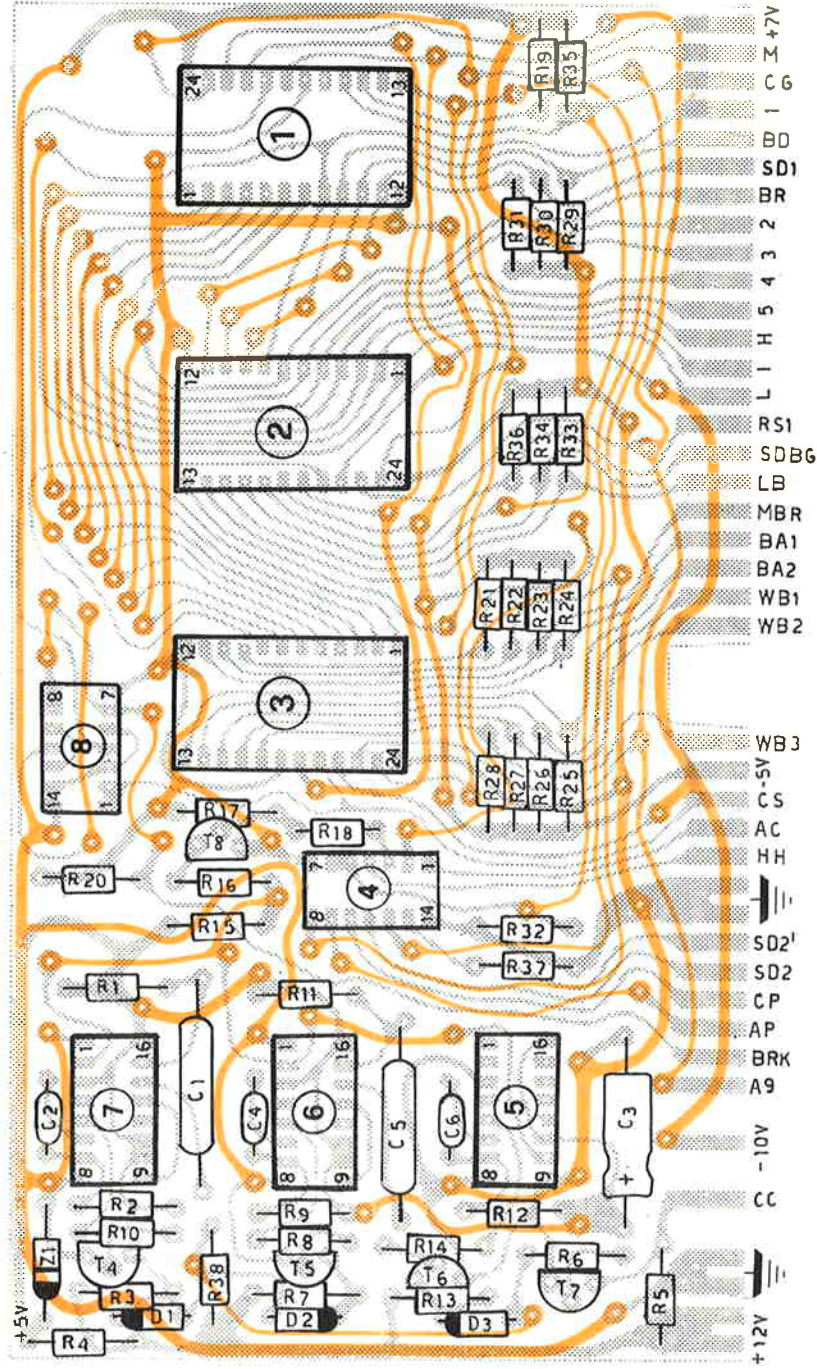
410CST1052

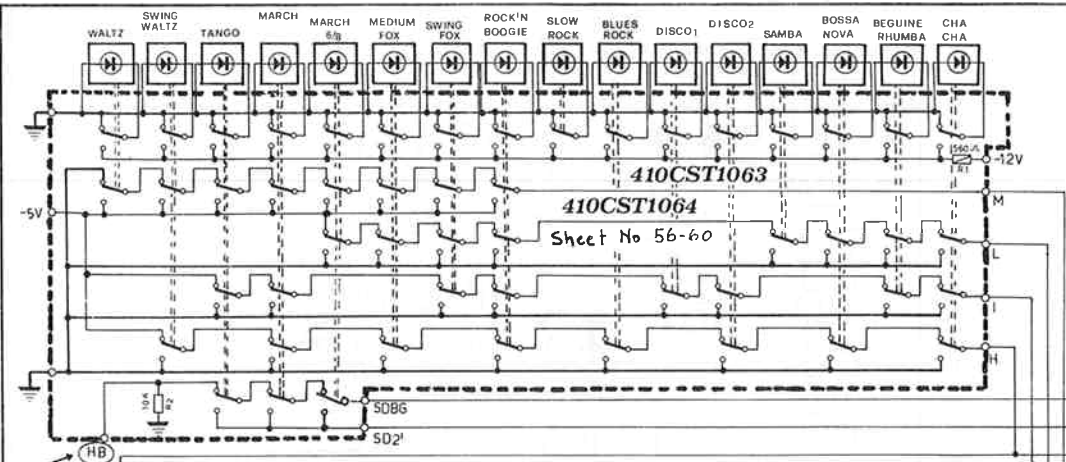
(477GR10520)



410CST1053

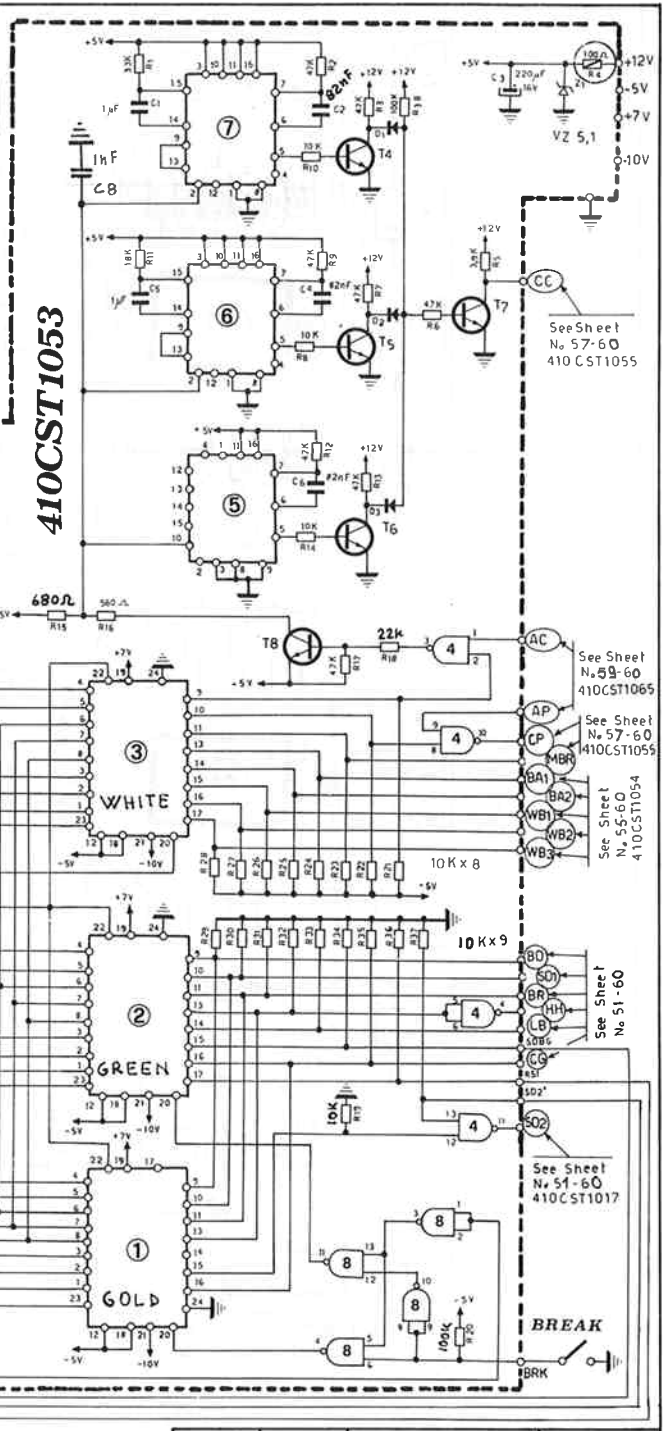
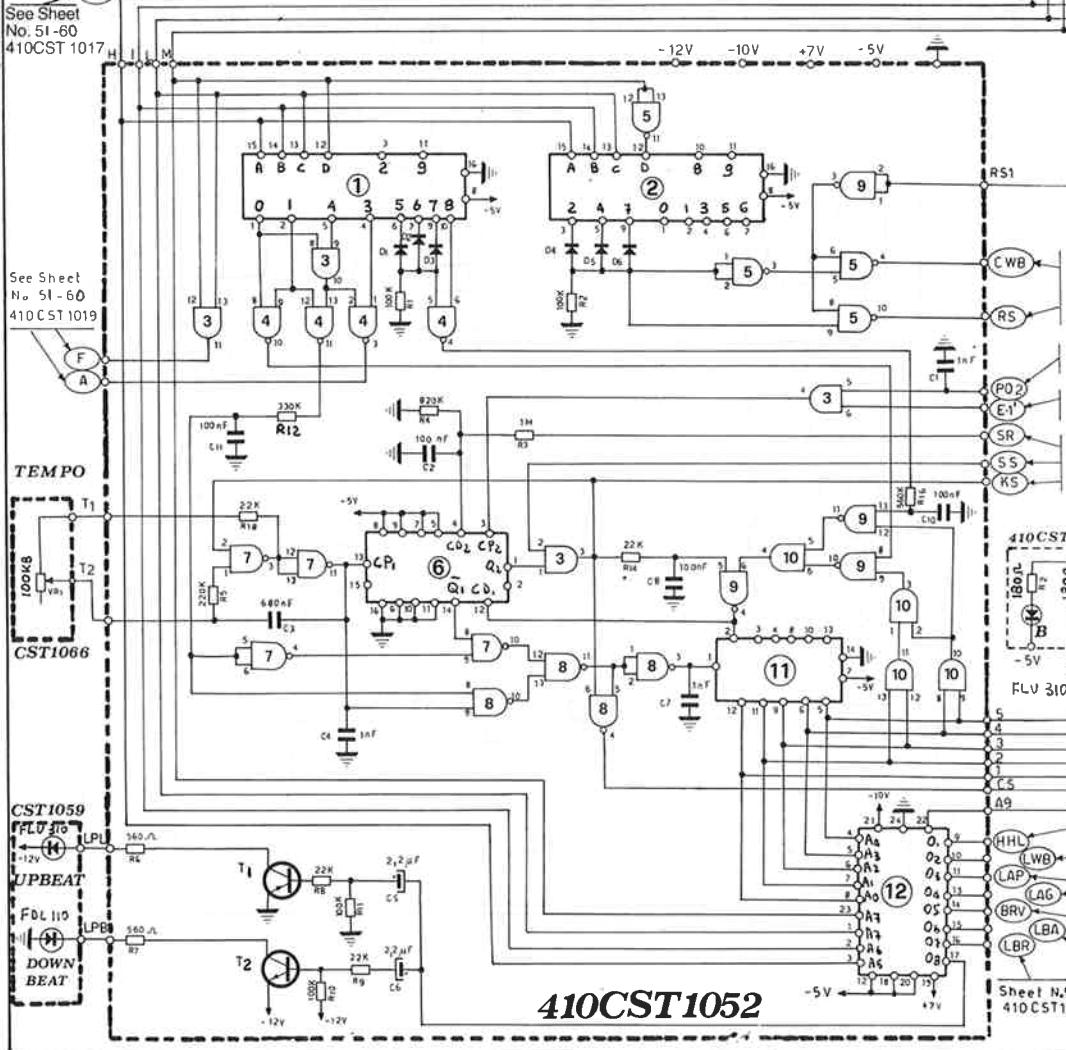
(477GR10530)

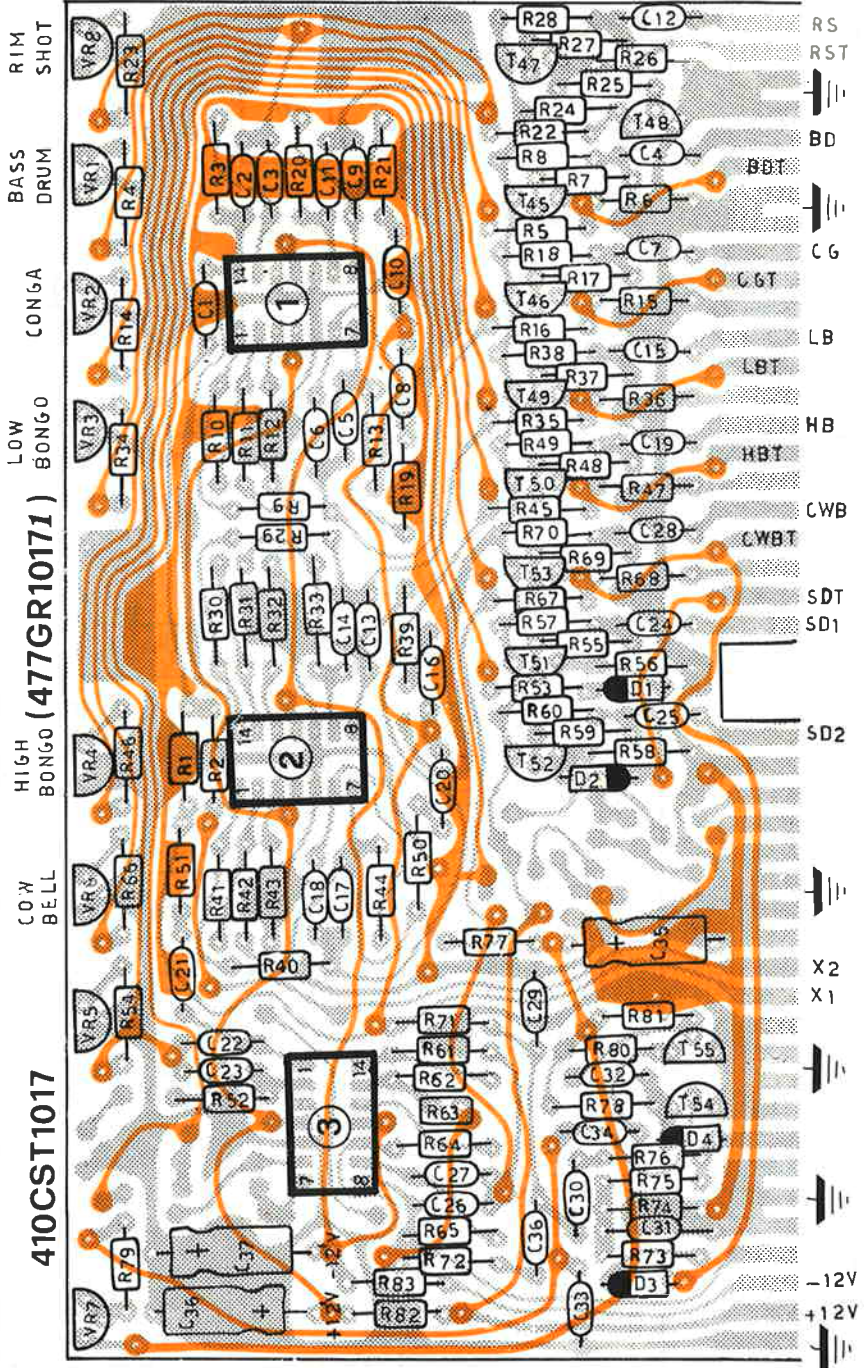




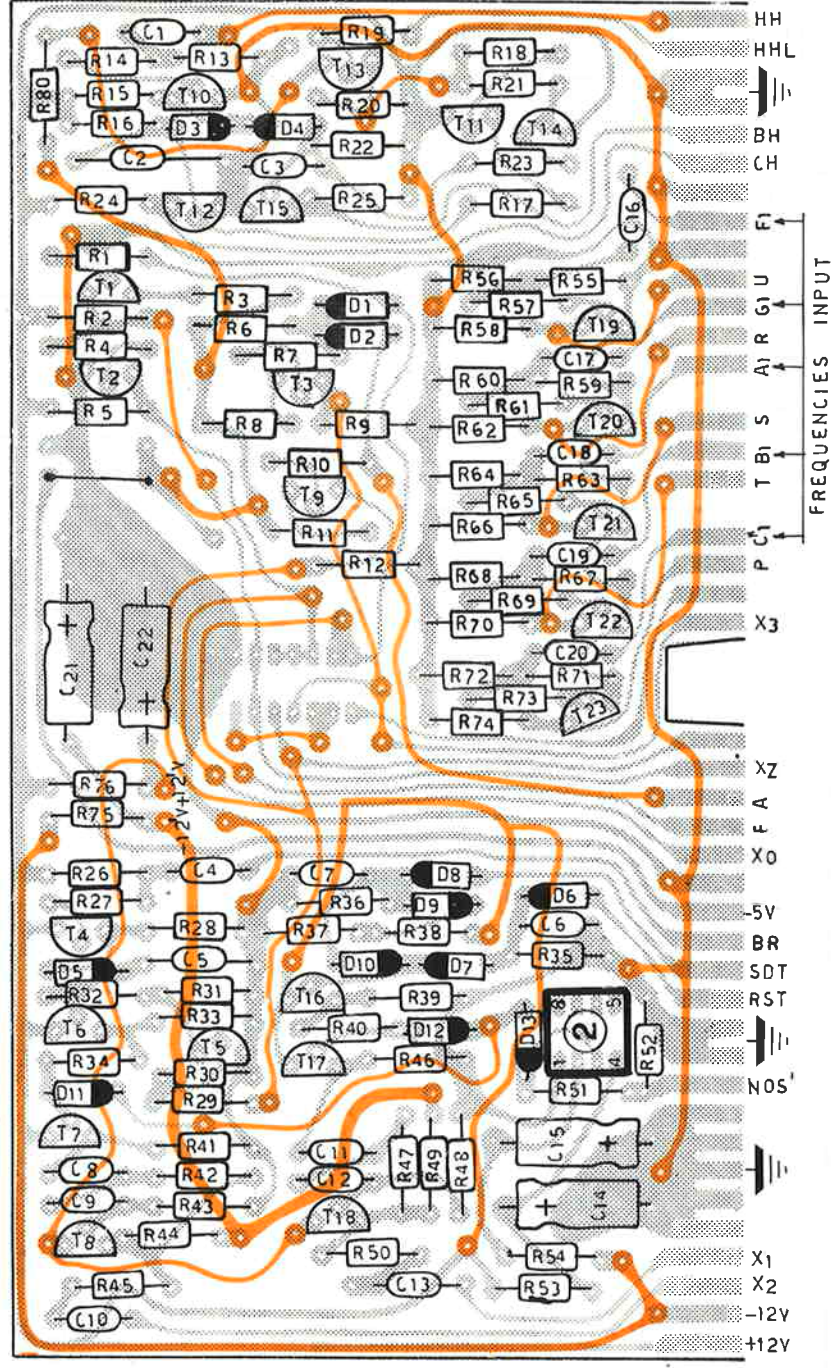
INTEGRATED CIRCUITS			PRINTED CIRCUIT	
CODE	TYPE	MANUFACT.		
1-2	74C42		410CST1052	
3-10	4081			
4-5-7	4011			
8-9-				
11	4024			
12	2708			
6	4021			
1-2-3	2708			410CST1053
4-8	4011			
5-6-7	74LS221			

TRANSISTORS		
CODE	TYPE	TRANSISTORS
T1	PNP	BC 415 C
T2-T8	NPN	BC173 B

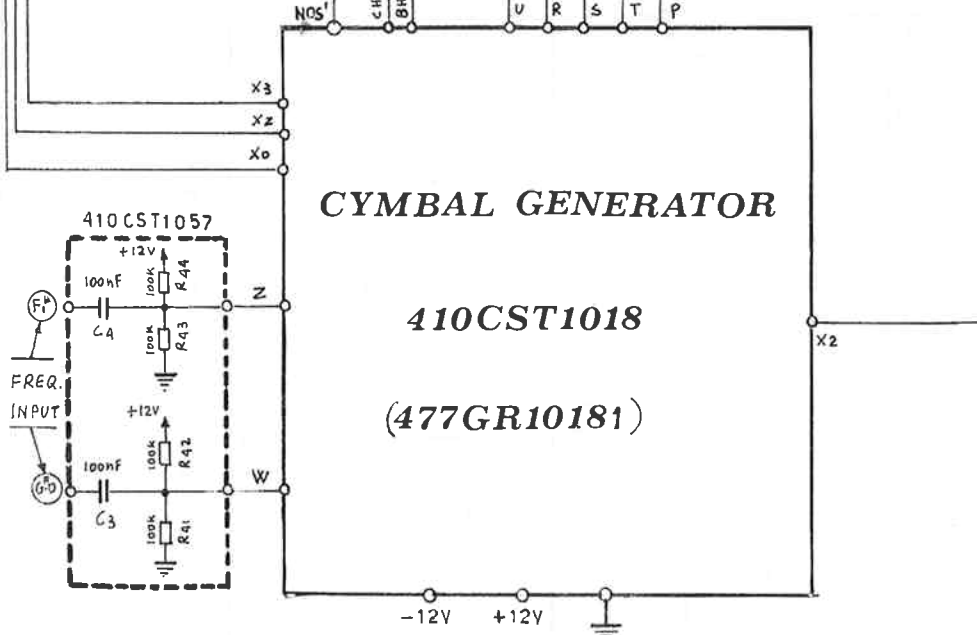
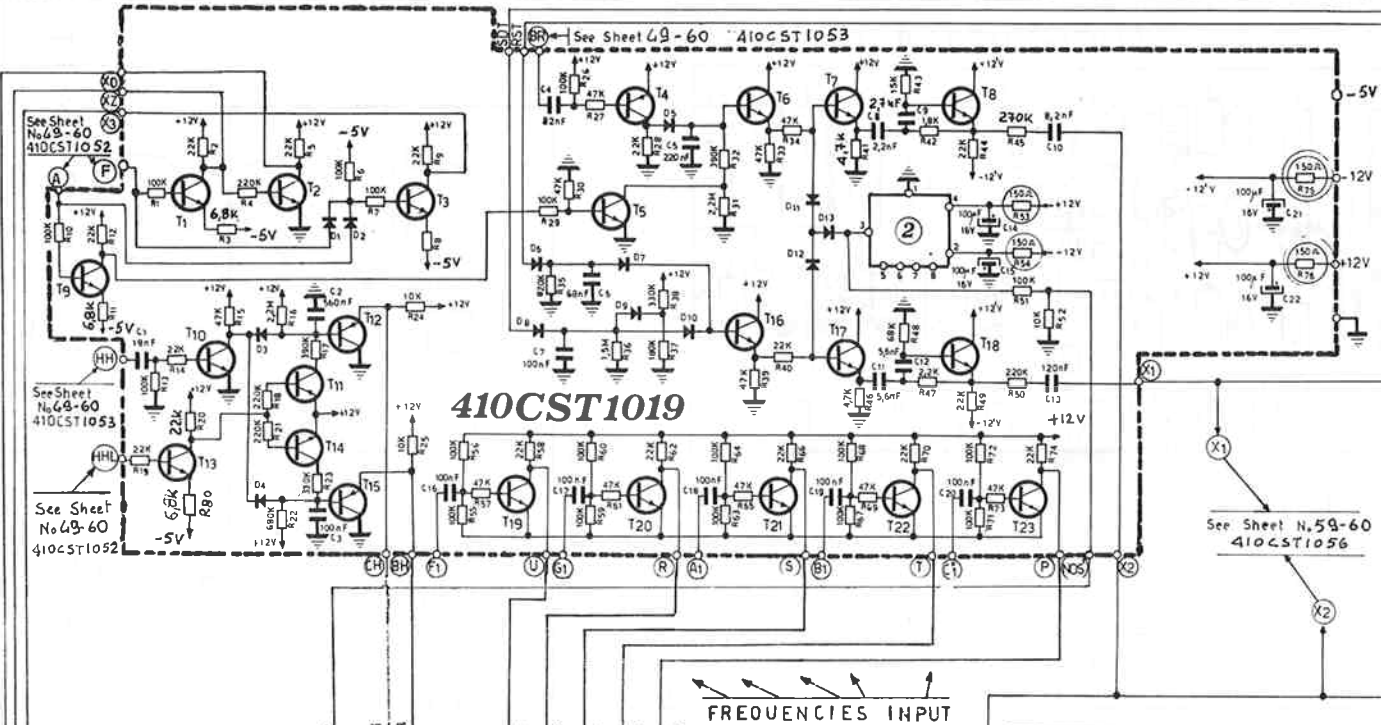




(477GR10190)

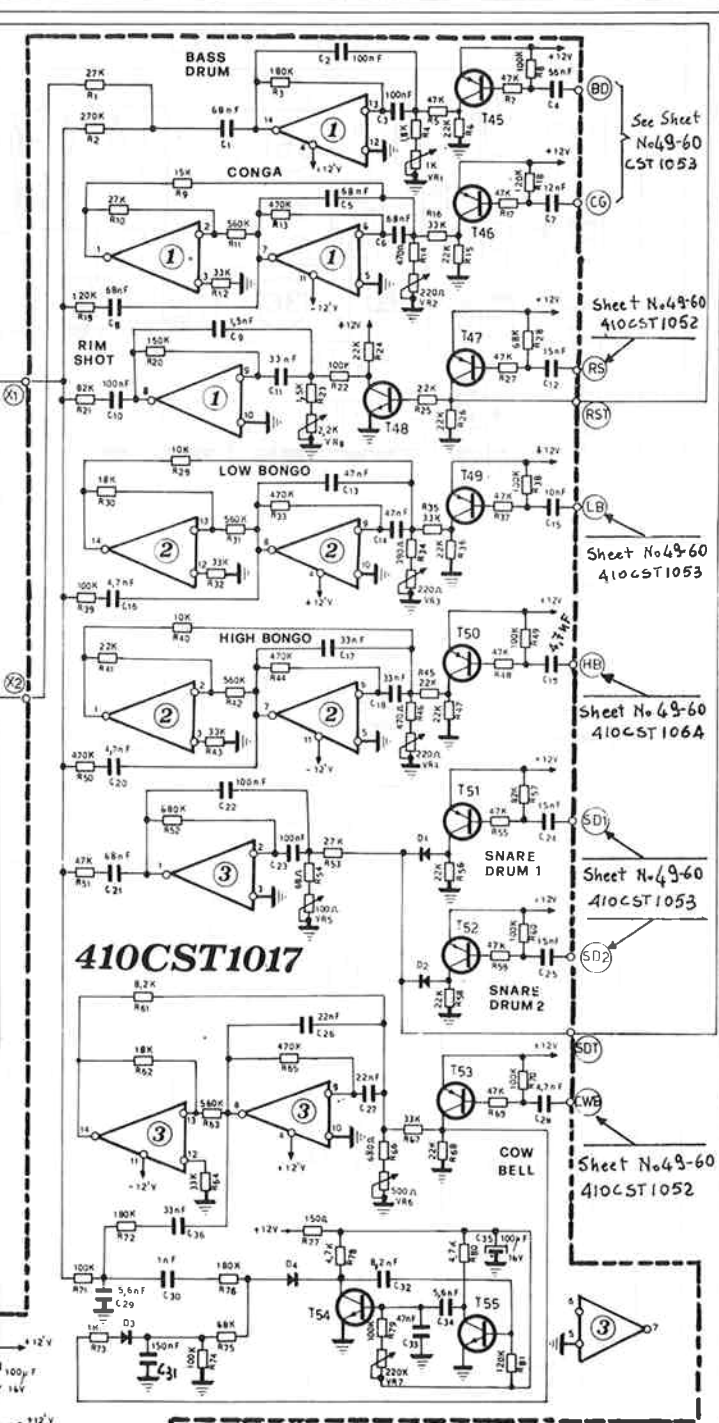


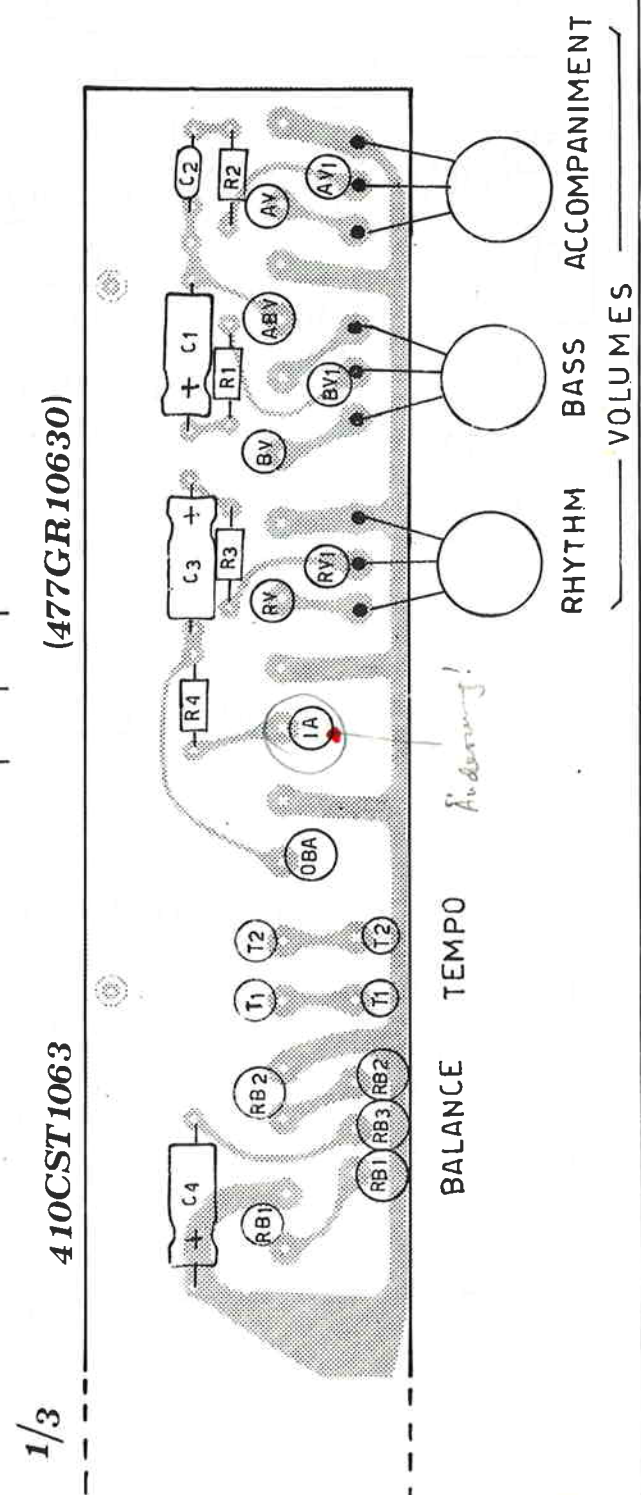
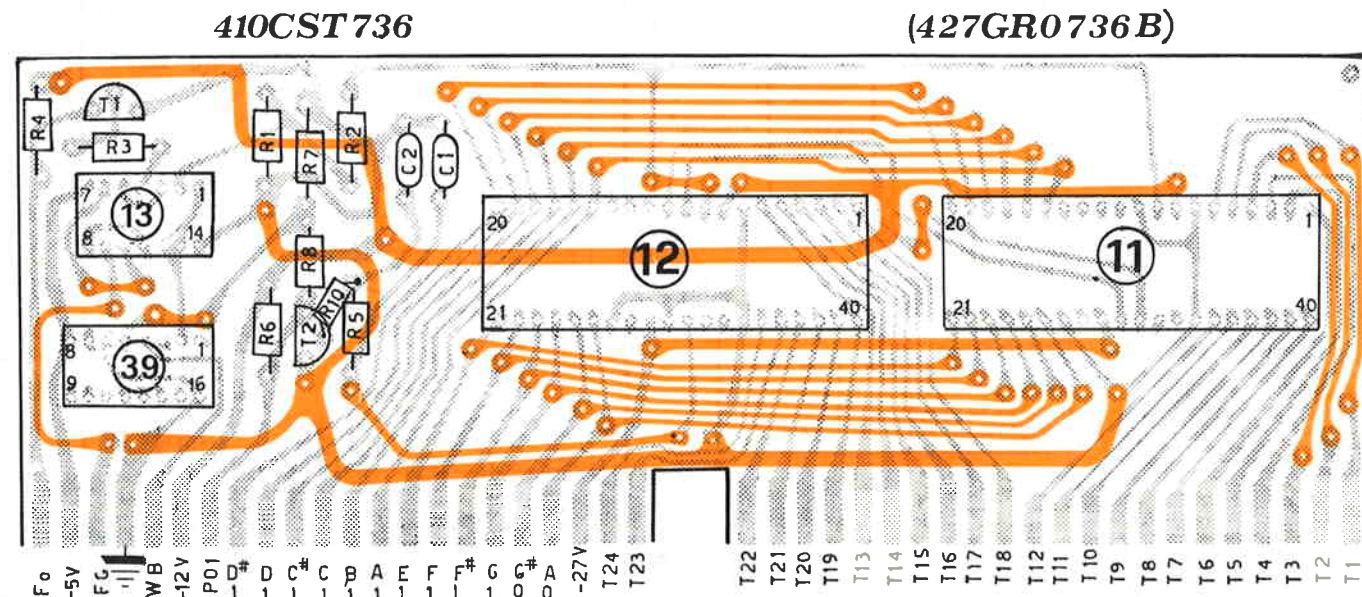
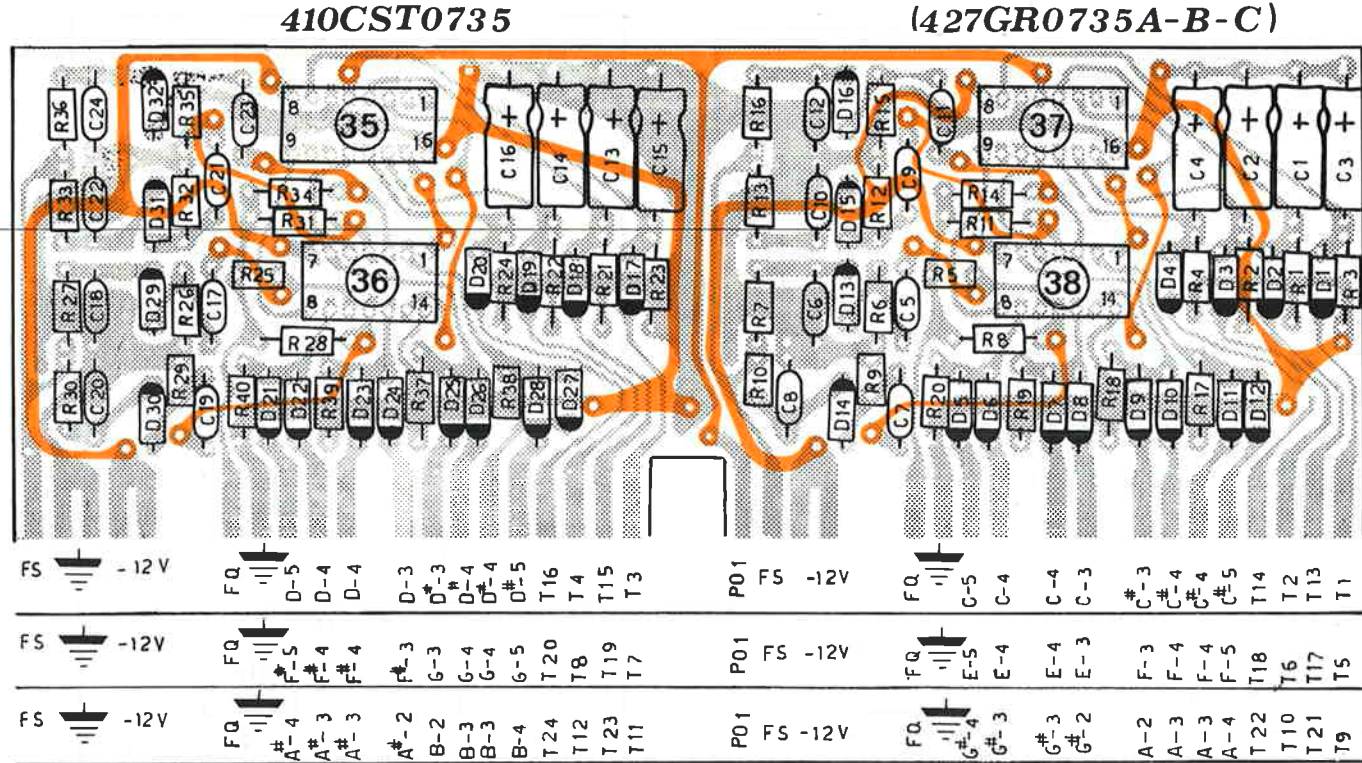
	Model	Object:	Sheet No 50-60
	X 705	Inside view of the organ	Date 20-6-80

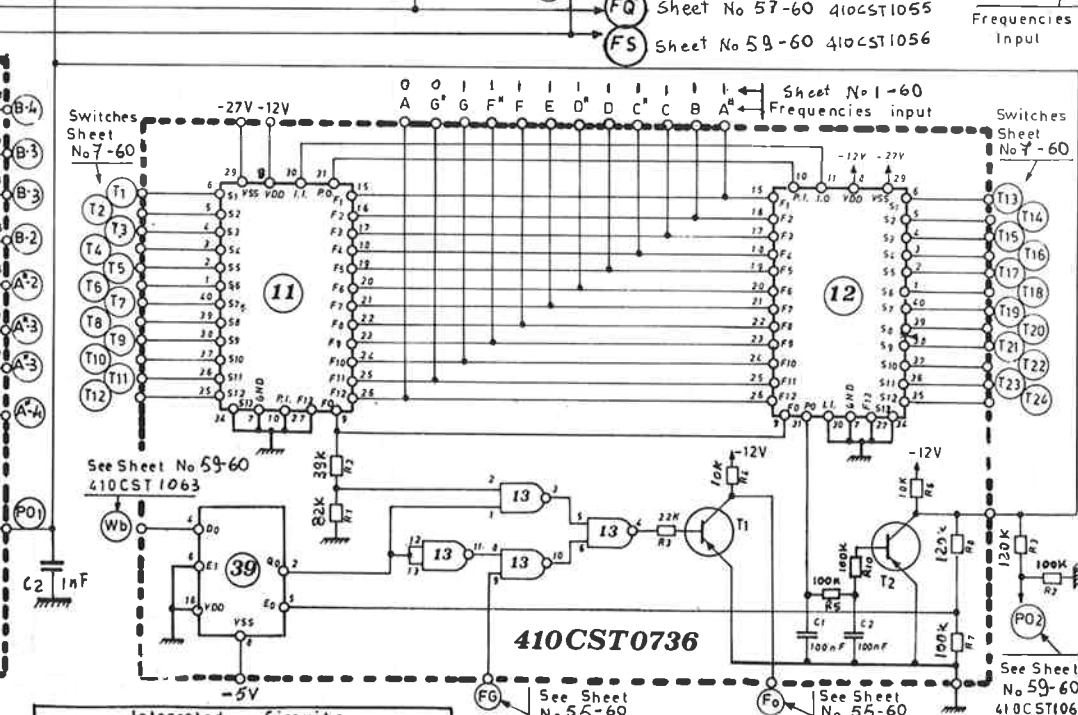
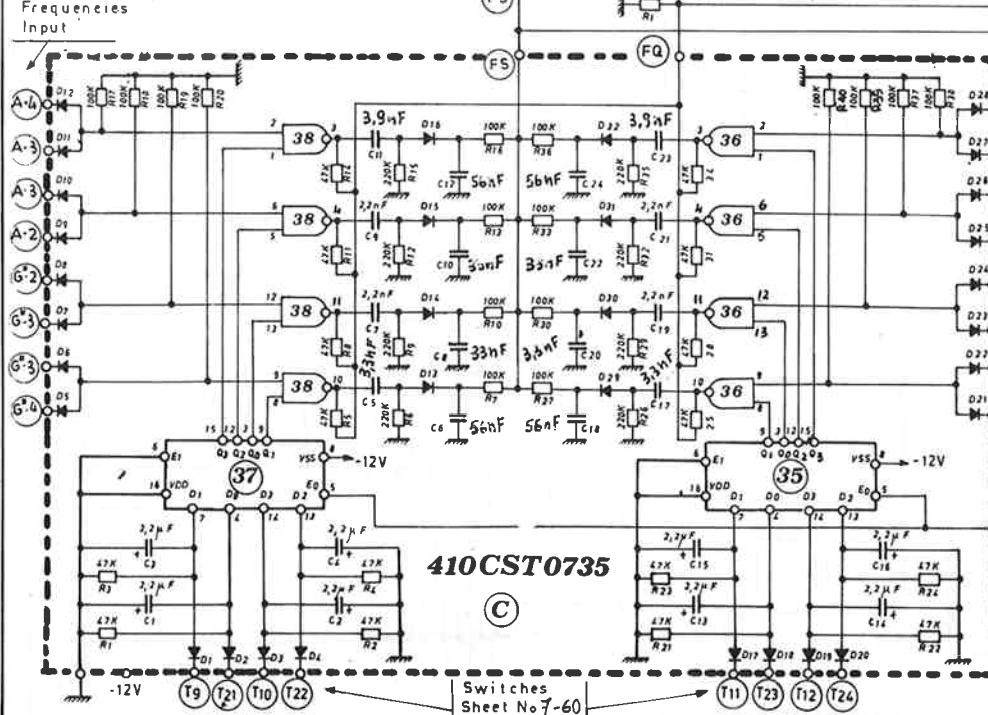
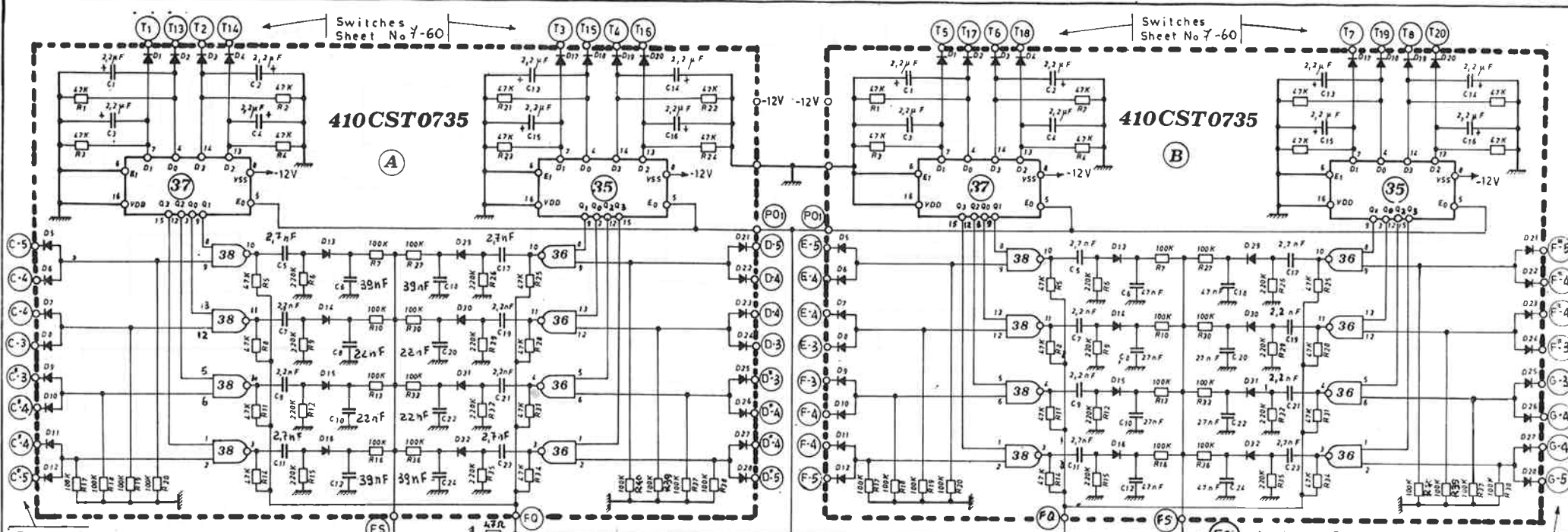


INTEGRATED CIRCUITS			
Code	Type	Manufacturer	Printed circuit
1	74LS 00		410CST1019
2	5837N	NATIONAL	
1-3-4	3080N	NATIONAL	410CST1018
2	HBF 4740	S. G. S.	
5	TL082	TEXAS	410CST1017
1-2-3	TL084	TEXAS	

Code	Type	Transistors
T1-T3-T5-T10-T13	NPN	BC 173 B
T16-T24 T28-T32		
T36-T40-T44-T54-T55	PNP	BC 415 B
T4-T11-T12-T14-T15 T29		
T26-T27-T33-T34-T35		
T41-T42-T43-T45-T53		







Code	Type	Transistors
T1 - T2	PNP	BC 415 C

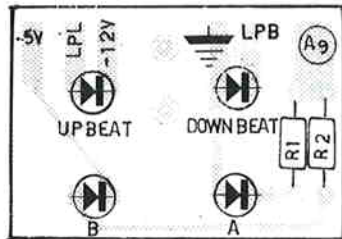
- 36 Pin 7 = -12V
- 38 Pin 14 = GND
- 13 Pin 7 = -7V
- Pin 14 = GND

Integrated Circuits		
Code	Type	Manufactured
38-38-13	MC 4011	
35-37-39	MC 4042	
11 - 12	AY-1-13-13	G. I. E.



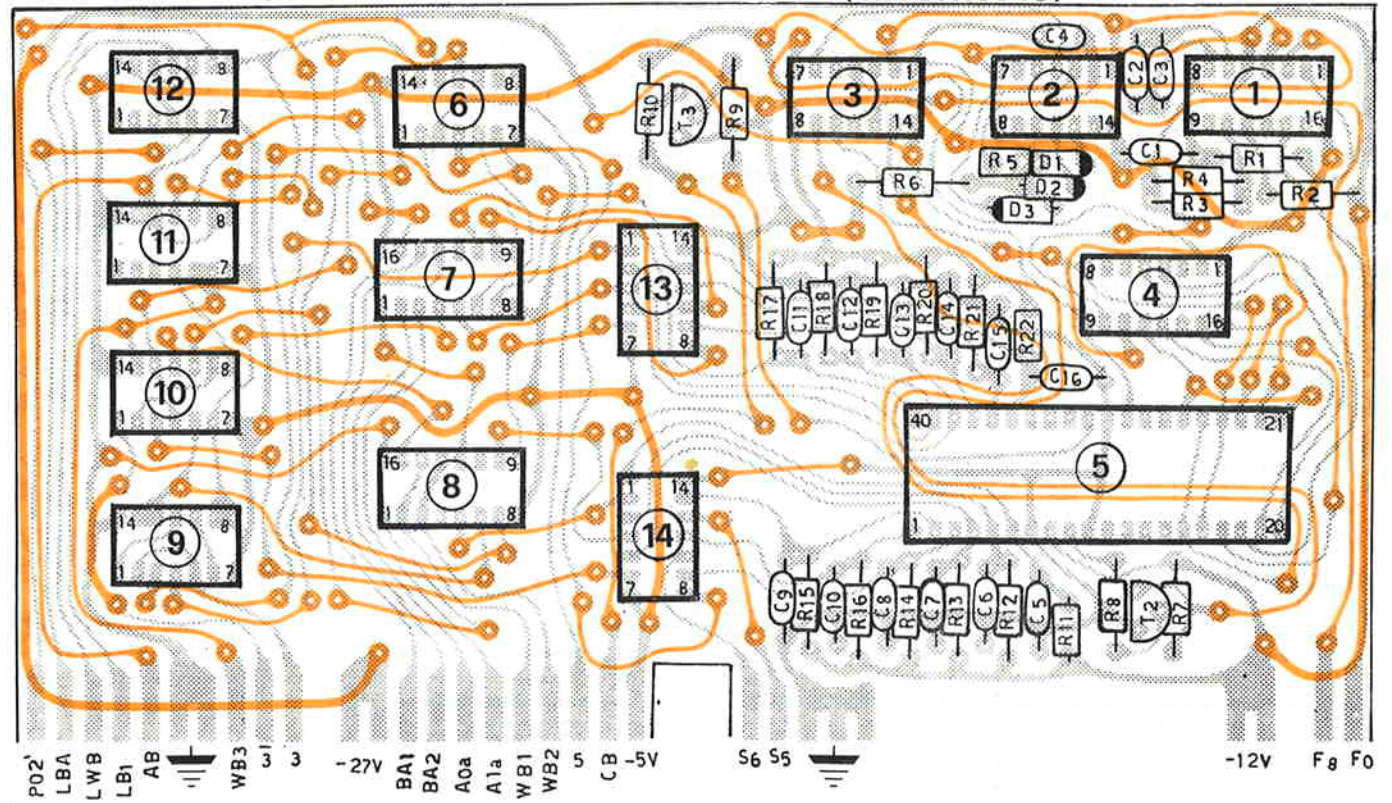
Model	Object:	Sheet No
X 705	Board	No 53-60
	410CST0735-736	Date 9-7-80

COPPER SIDE
410CST1059
(427PR10590)

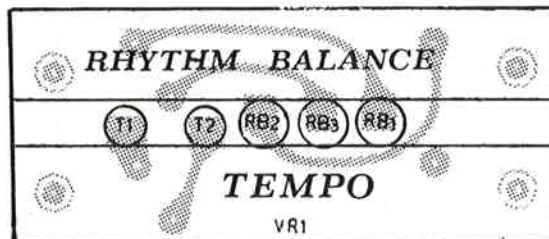


410CST1054

(427GR10540)

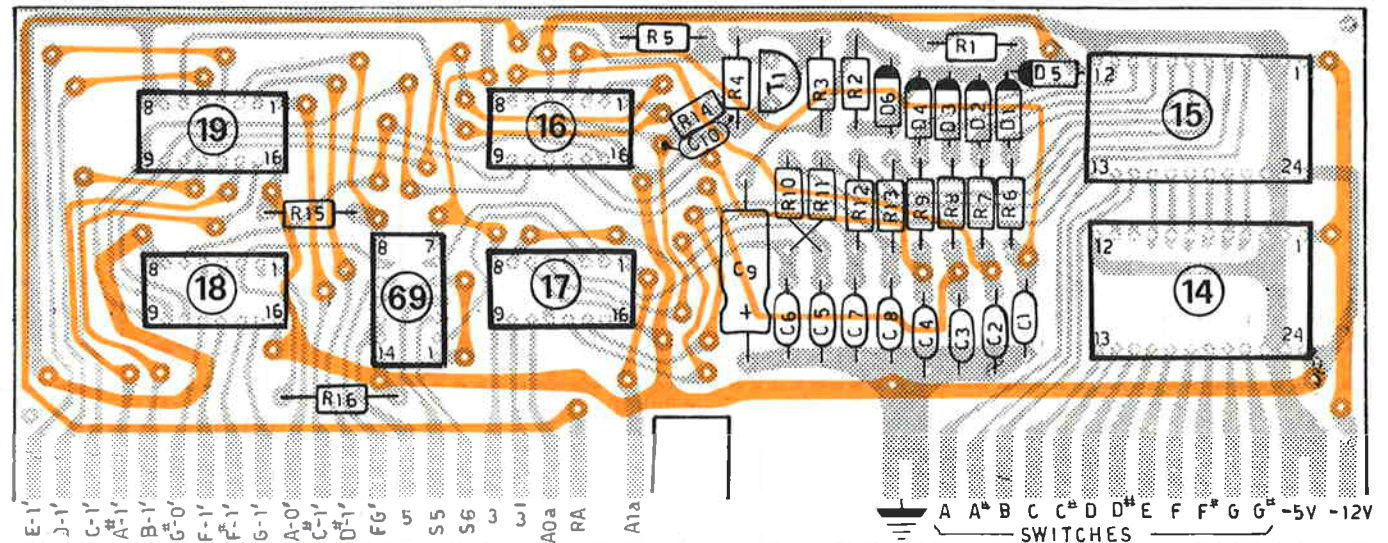


COPPER SIDE
410CST1180
(427PR11800)



410CST0737

(427GR0737B)

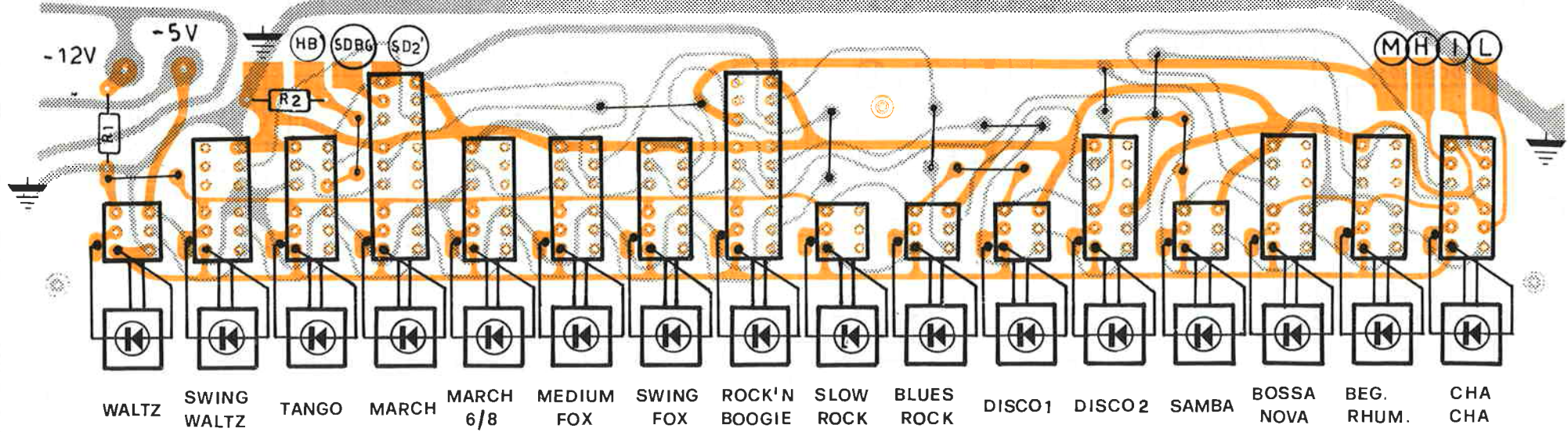


Model
X705

Object:
Inside view
of the organ

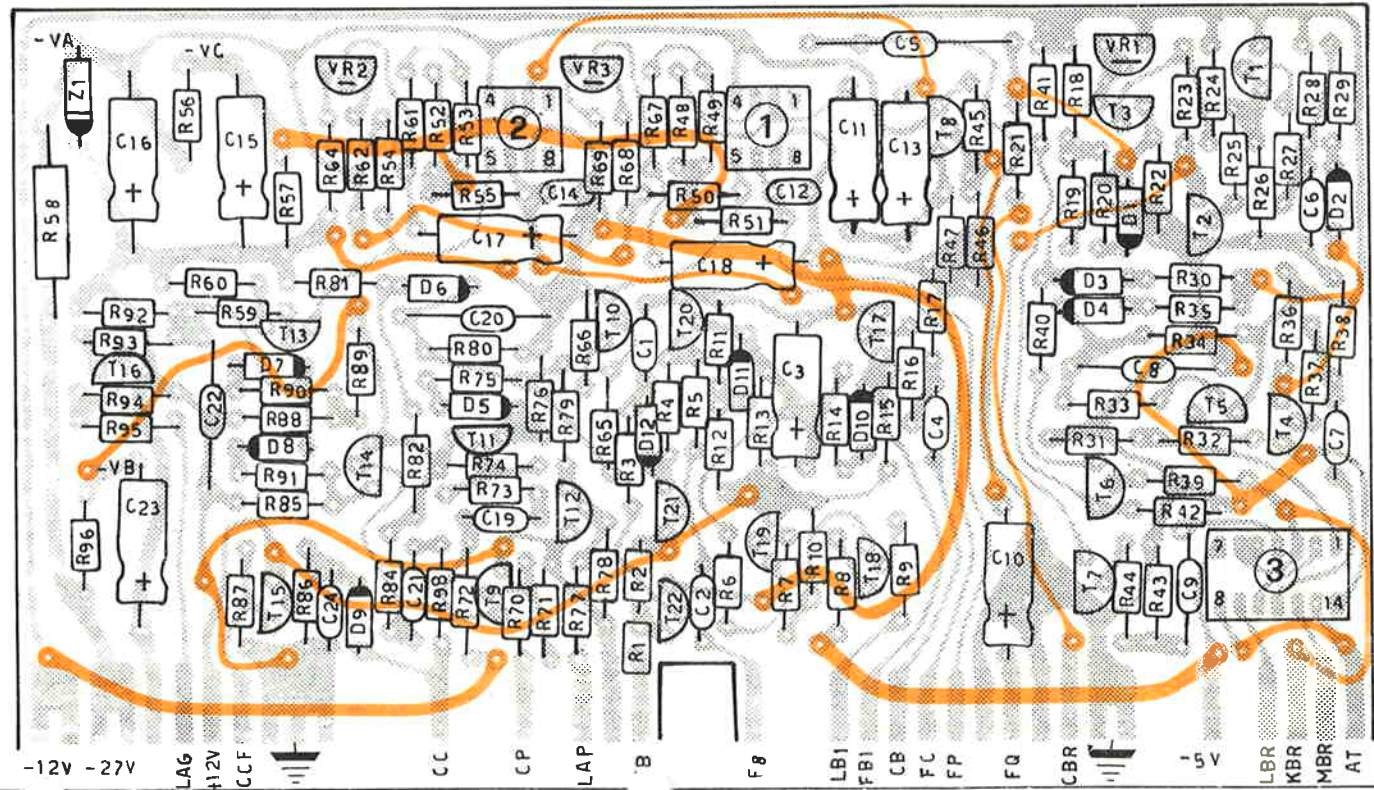
Sheet No 54-60

Date 10-7-80



410CST1055

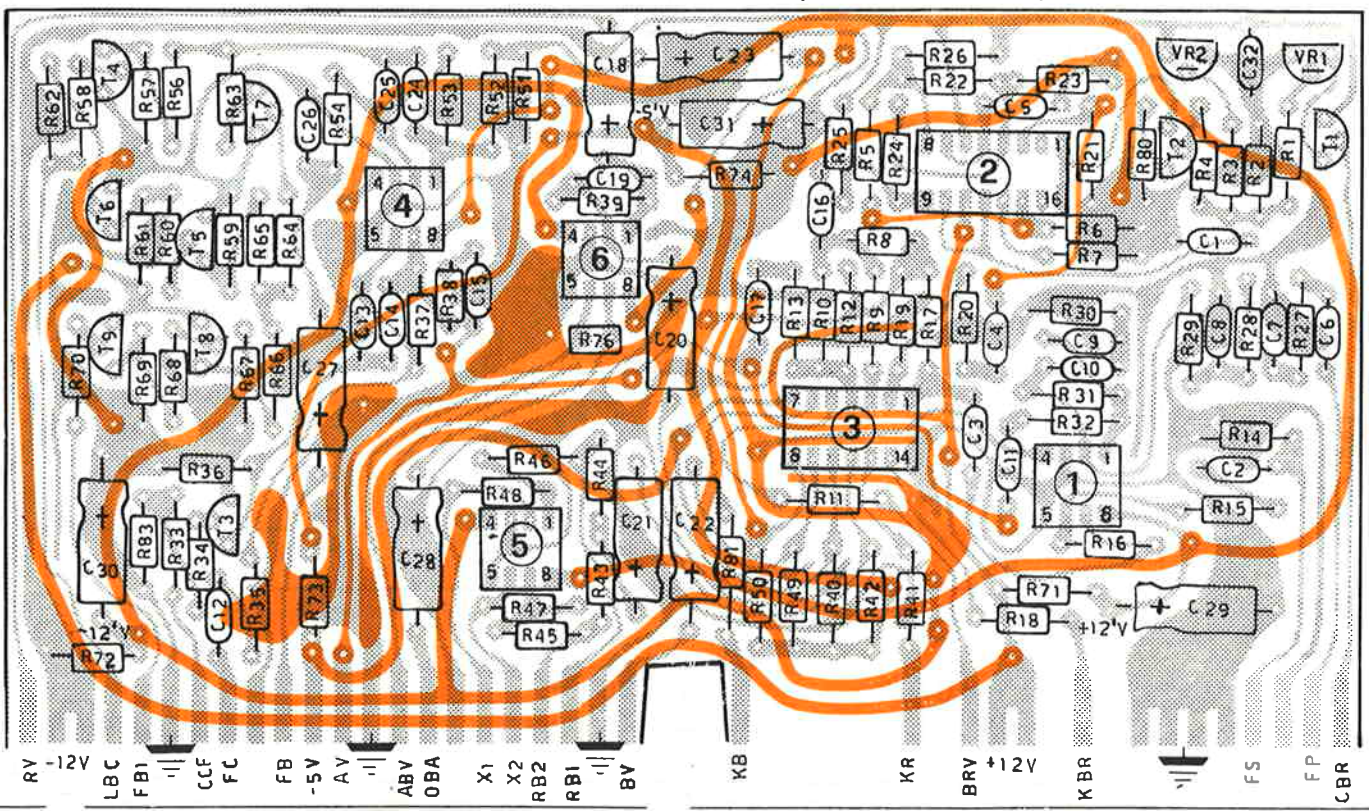
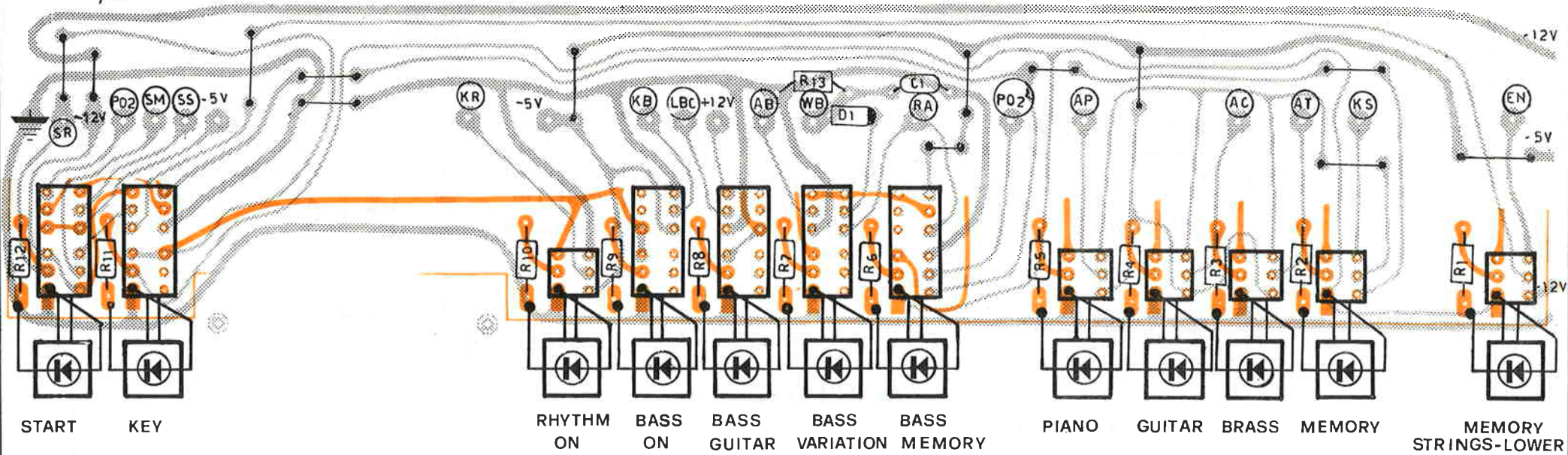
(477GR10550)



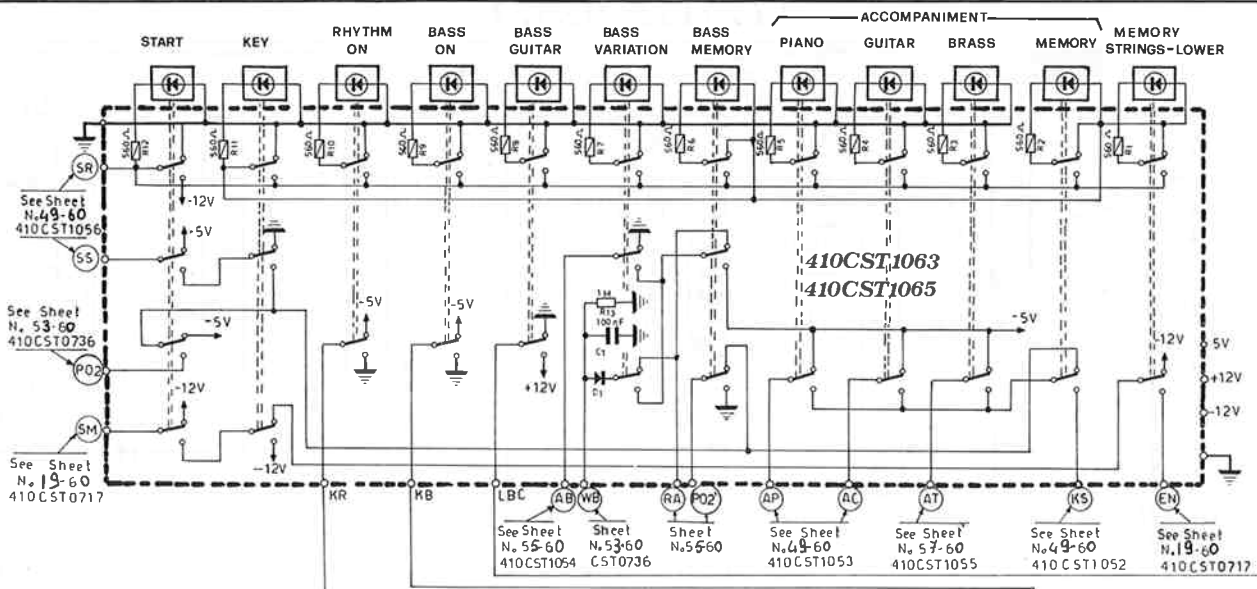
Model
X 705

Object:
Inside view
of the organ

Sheet No 56-60
Date 10-7-80



	Model	Object:	Sheet No 58-60
	X705	Inside view of the organ	Date 11-7-80

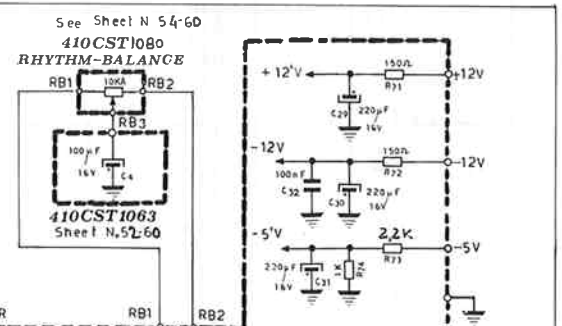
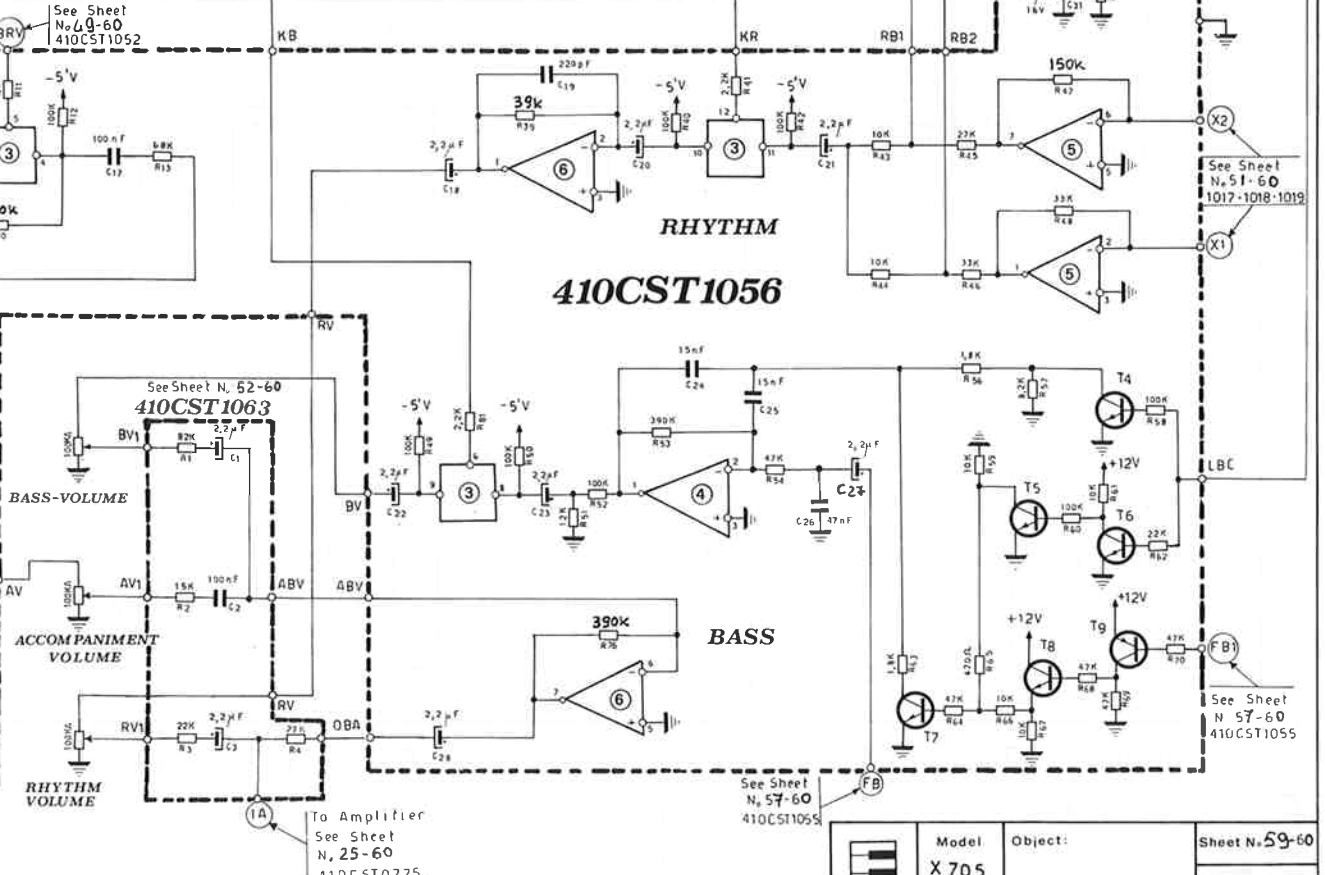
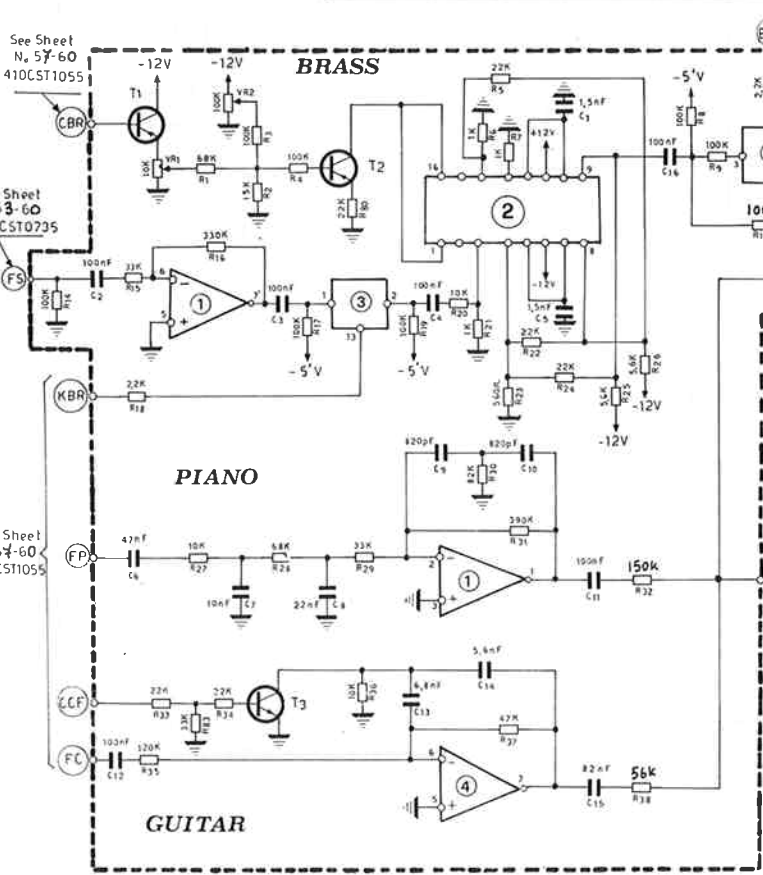


INTEGRATED CIRCUITS		
Code	Type	Manufactured
1-4-5-6	TL082	NATIONAL
2	LM13600	
3	4016	

Code	Type	Transistors
T1 - T2 - T9	PNP	BC 415
T3 : T8	NPN	BC 173

TL082 { PIN 4 = -12V
PIN 8 = +12V

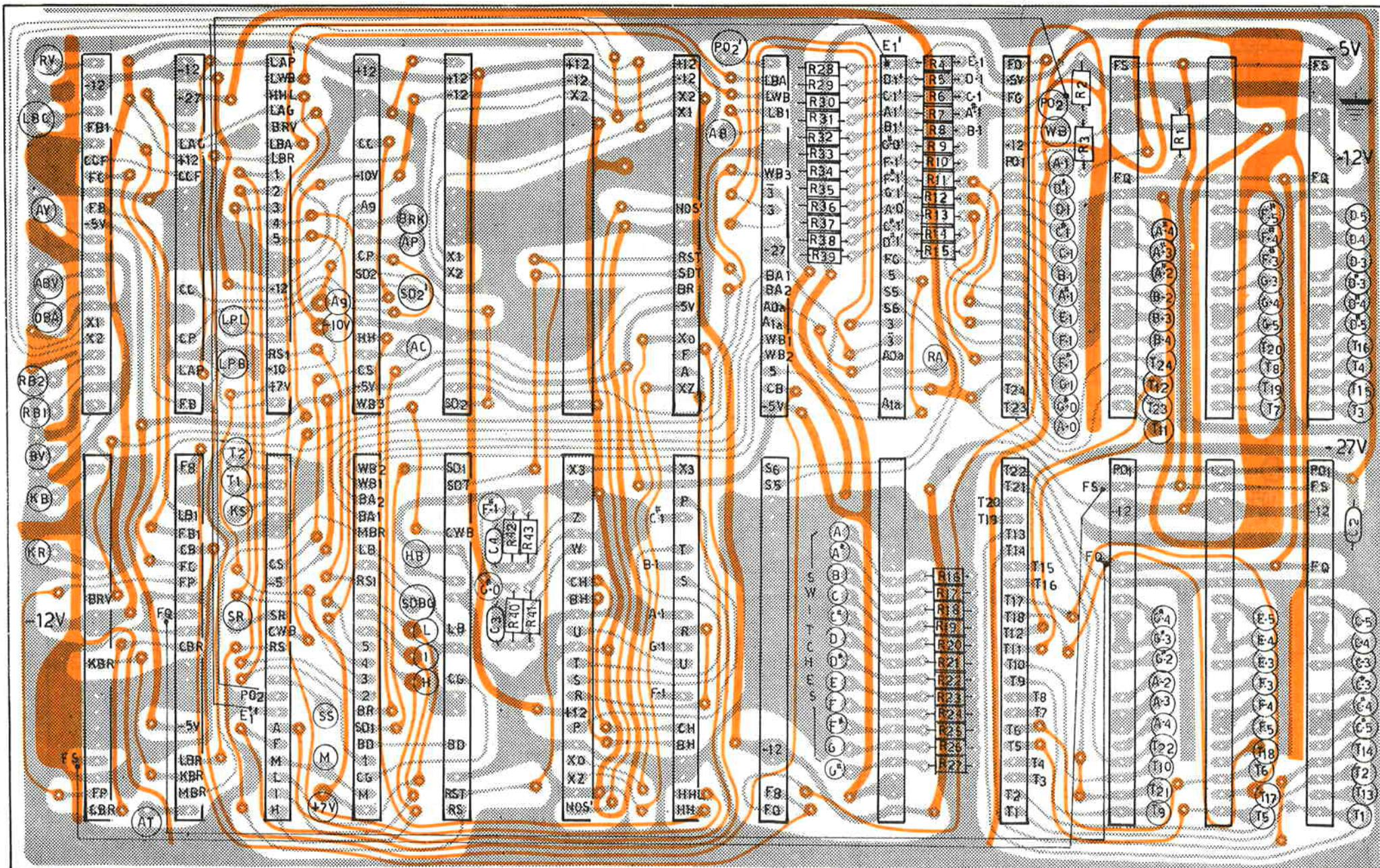
4016 { PIN 7 = -5V
PIN 14 = GND



To Amplifier
See Sheet
N. 25-60
410CST0775
410 0755

See Sheet
N. 57-60
410CST1055

	Model	X 705	Object:	
	Sheet N.	59-60	Date	9-7-80



1056 1055 1052 1053 1017 1018 1019 1054 737 736 735 C 735 B 735 A



Model	Object:	Sheet No 60-60
X705	Inside view of the organ	Date 14-7-80

